

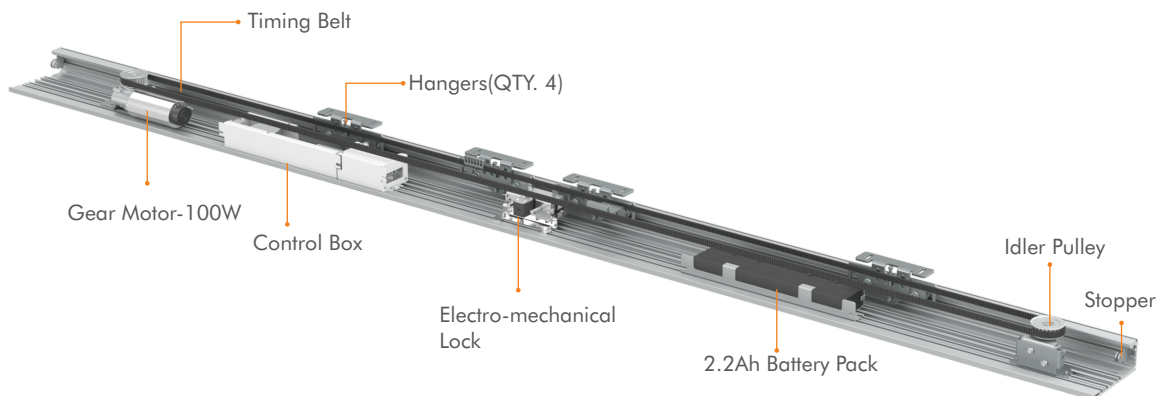


[info@deutschtec.de](mailto:info@deutschtec.de)

**POWER DRIVE**  
Automatic Sliding Door

# POWER DRIVE

By bringing original design, simple aesthetic qualities and top-notch German technology together, we have managed to create dependable and powerful sliding entry solutions. Many and various interior or exterior applications can benefit from our power-drive systems. Deutschtec power-drive series are there to gift any architecture with a stunning look. Whether you are searching for a unique entrance for your next project or you wish to give your building a whole new look, our power-drive series will make you beam with satisfaction.





Designed • Developed • Made in Germany



# POWER DRIVE

Technical Detail	POWER DRIVE
Opening width - single panel	800 - 2000 mm
Opening width - double panel	1000 - 3000 mm
Max leaf weight, single	1 x 150 Kg
Max leaf weight, double	2 x 100 Kg
Operator height	100 mm
Operator depth	174 mm
Opening speed	Variable up to 1.1m/s (Double leaves )
Closing speed	Variable up to 1.1m/s (Double leaves )
Hold-open time	0 - 30 s
Ambient temperature	-15 to + 50°C
Protection class	IP 20
Track profile	Stainless steel / Aluminum
Power supply power	230V / 92VA
Gear motor power	100 W
Number of motors	1

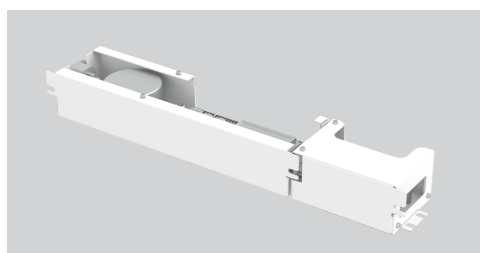
Technical Detail	POWER DRIVE
Possibility to adjust force limitation according to DIN18650 and EN16005	✓
Program switch(optional)	✓
24V DC output for external accessories	-
Power Lock	✓
Possibility of using electromechanical lock (optional)	✓
Read-out error memory with error codes (with digital programmable switch)	✓
Programmable relay input (optional)	✓
Programmable relay output (optional)	✓
Possibility of using more software and hardware options by using DMS device	✓



Standard	POWER DRIVE
DIN18650	✓
EN16005	✓
EN60335	✓
EN ISO 13849	✓
EU low voltage directives	✓
EU EMC directives	✓

## Control Unit

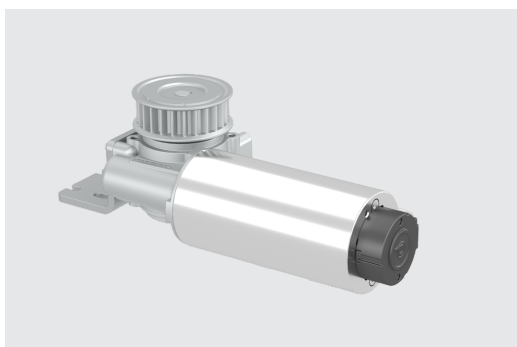
New generation of combined control unit with compact and integrated component including both controller and power unit in well-set case designed and fabricated to drive sliding doors with all necessary features of a high quality sliding door system.



## GEAR MOTOR

Like its other state-of-the-art parts, Deuschtec Powerdrive series' motors are fully made in Germany. Their motors are absolutely indestructible and are there to ensure reliable performance for a lifetime.

Great efficiency and enhanced function are achieved through employing years of experience and the latest technologies in the process of our motors' design and production. These brushed DC motors are so quiet that while in action, you will hear nothing but a muffled sound.



## POWER LOCK

In many cases, there is no real need for (optional) electromechanical lock and buildings ensure security by other means. However, it is necessary for the entrance to be allowed limited access. In this case, power lock free function is a wholesome solution. When the door is locked, if there is pressure on it for becoming open, the motor will use its full power in the opposite direction and make it practically improbable to enter for unauthorized individuals.



# TRACK PROFILE

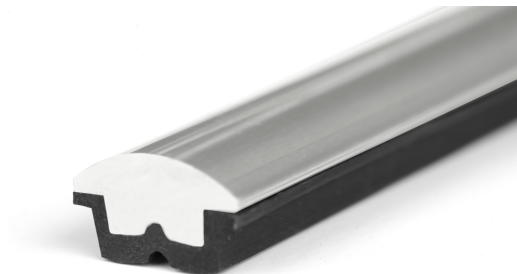
## **Stainless Steel Track profile :**

Since Deuschtec's stainless steel track profiles are rust-proof and anti-abrasion, they will never need to be replaced. This will be a great value for your money during time and will prevent any possible complication which may happen when replacing profiles.



## **Aluminium Track profile :**

When Deuschtec's detachable aluminum track profiles are worn out after a lengthy period of time, they can easily be replaced, which costs much less in comparison with replacing the whole rail.

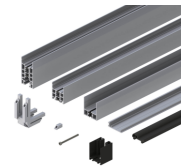




## FRAMES

### THB - THERMAL BREAK FRAME

A great choice of frame to pair with this impeccable series is thermal break frames (THB) which by insulating the door against undesired or harsh weather conditions, save the energy and consequently, your budget! Furthermore, since these are incredibly strong frames, they are an ideal option when heavy doors are required. It can be coupled with multi-glazing glass.



### TBS - THERMAL BREAK FRAME

When saving energy is of importance, TBS frame is an economical and inexpensive solution. Besides being thermal break, it can be coupled with double-glazing glass. Its thinness and also being an energy-saver, have made TBS frame a smart gorgeous choice for modern architecture. This type of frame has successfully been tested for escape doors.



### UTS

This frame is the non-thermal break version of TBS and has all its advantages. Due to not being thermal break, it has an even more competitive price. While enjoying all TBS beauties, for buildings' inside doors and for places where the exchange of cold and hot air does not matter much, UTS is an excellent value.



### SATURN

This is a reasonably-priced frame suitable for single-glazing and tempered glass. When you wish to have a glass frontage and yet, prefer to use a thin frame instead of frameless glass, Saturn is a convenient low-priced solution.



### FRAMELESS

This full-glass system is the most suitable choice for those who wish to have elegance combined with radiance.

These sliding doors provide excellent light exchange between inside and outside.



# ACCESSORIES

## BATTERIES

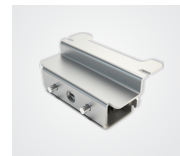
Powerdrive series will continue functioning even after a power-cut thanks to their powerful 2.2 Ah batteries.

Needless to say, the number of operation cycles depends on some key factors such as door leaves' weight, traffic, speed adjustment, etc.



## ELECTROMECHANICAL LOCK

Deuschtec Electromechanical lock has been a dependable way to safeguard your security all the time. It utilizes steel pins to lock both leaves simultaneously and therefore, is much safer compared to those models which lock the timing belt or just one leaf. Furthermore, since it employs bi-stable mechanism, system's power reset does not affect the lock's state. Due to using powerful batteries and an intelligent circuit, battery usage is reduced to zero when the door is locked and there is a power-cut.\*



## Program Key Switch

Deuschtec Powerdrive presents its Program Switch with the five modes of full open, partial open, lock, automatic and one-way. Simple yet functional, this is another accessory which will definitely come in handy.





w w w . d e u t s c h t e c . d e

Deuschtec GmbH  
Am Fuchsbau 13  
15345 Petershagen/Eggersdorf  
Germany

Phone: +49 (0)3341 30 22 4 - 0  
Fax: +49 (0)3341 30 22 4 - 25

E-Mail: [info@deuschtec.de](mailto:info@deuschtec.de)



EN.01.07042024